

edp Polybagger

Model: AB2008 DF



The bag & product
is completely supported
throughout the filling
procedure.

65
1947-2012
edp®



POTATOES • TOMATOES
ONIONS • APPLES • ORANGES



www.edp.com.au

The **edp Polybagger** is a tried and proven bagger,
used for the packaging of 1kg to 6kg plastic wicketed bags
with produce and or components automatically.

edp australia pty ltd

33 – 37 O'Brien Street
PO Box 251 Mooropna VIC 3629
Australia

Phone: +61 3 5820 5337
Fax: +61 3 5825 2758
Email: sales@edp.com.au

e-easy as...
edp®

edp Polybagger

Model: AB2008 DF

Packs
Wicketed Polybags

Features

- Soft fill function
- Electrically adjusted bag support conveyor
- Bag count & Bag per minute display
- Soft fill on and off switch
- Touch screen operations
- Up to 20% faster
- No bag, No Fill
- Simple reliable operation
- Powder coat finish
- Continuous wicket feed

Specifications:

Product:

- Potatoes, Tomatoes, Onions, Apples & Oranges

Bag Type:

- Wicketed Lynx
- Wicketed Mesh Lynx*

Closure Type:

- Kwik Lok

Soft Fill:

- Apples (Optional Fill)

Supply Voltage:

- 415 VAC + Neutral + GND / 10 AMP

Air Consumption:

- 5 CFM @ 80 PSI

* Subject to optional vacuum bag opening system.

The edp Polybagger

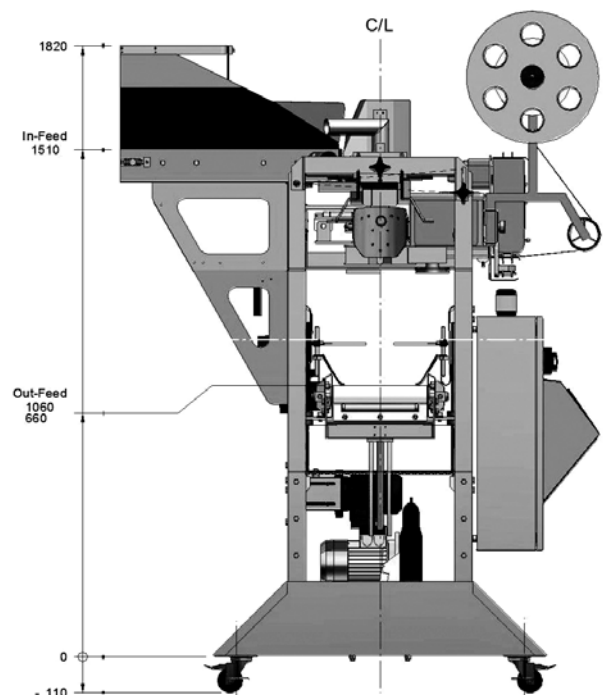
is a tried and proven bagger, used for the packaging of 1kg to 6kg plastic wicketed bags with produce and or components automatically.

The bagger is compatible with all combination weighers such as Daumar, Newtec, Bottazzi or Sorma and Manter.

The speed of the bagger depends on the counting or weighing machine but is capable of up to 25 bags per minute depending on size and product.

The support belt is raised and lowered (electrically) to suit different bag dimensions.

The bag and product is completely supported throughout the filling procedure. This inexpensive bagging is simple in design and cheaper to maintain and service and has technical support close by if you ever need it because it is made here in Australia by edp.



www.edp.com.au

edp australia pty ltd

33 - 37 O'Brien Street
PO Box 251 Mooropna VIC 3629
Australia

Phone: +61 3 5820 5337
Fax: +61 3 5825 2758
Email: sales@edp.com.au

edp®